

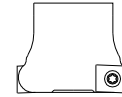


B565

6'000 min -1 / rpm
i = 1:1



Certified by
Sandvik Coromant



Ø 50 - 80

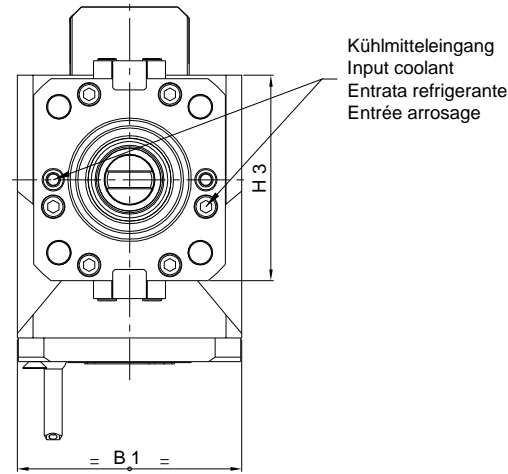
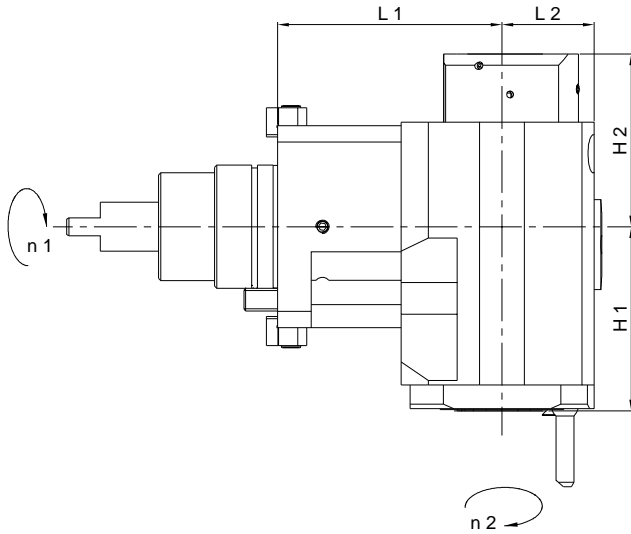
Axial-Bohr-Fräseinrichtung
Drilling and Milling Axial Unit
Testa assiale di foratura e fresatura
Unité de perçage et de fraisage axial

Externe Kühlung EKZ
Interne Kühlmittelzuführung IKZ
P max. = 80 bar
kein Trockenlauf!

External coolant supply ECS
Coolant through the spindle CTS
Coolant pressure max. = 80 bar
Don't run without coolant!

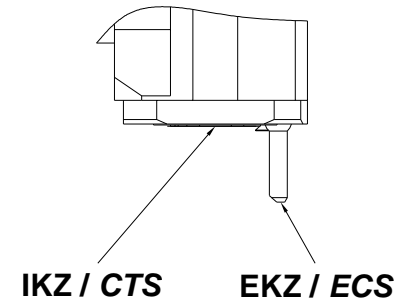
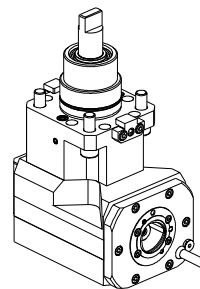
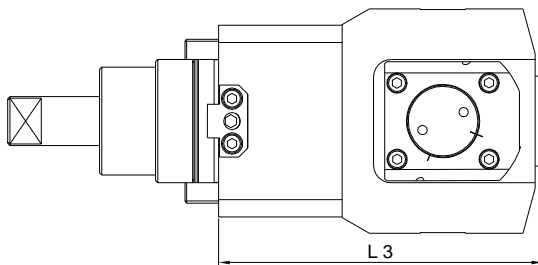
Liquido refrigerante esterno LRE
Liquido refrigerante sul fuso LRF
Pressione max. = 80 bar
Non lavorare a secco!

Arrosage par l'extérieur APE
Arrosage par le centre APC
Pression max. = 80 bars
Ne pas tourner sans arrosage!



Kühlmitteleingang
Input coolant
Entrata refrigerante
Entrée arrosage

Kühlmittelausgang
Output coolant
Uscita refrigerante
Sortie arrosage



Bestell-Nr. Ref. No.	Axialkopf Axial Head	L 1	L 2	L 3	H 1	H 2	H 3	B 1	Nm max.	Schmierung Lubrication	rpm max. min -1	i n 1 : n 2	Zubehör Accessory
A 14800003380	LAU 40-1 A C4 SU-matic Capto C4	100	44.5	144.5	82	77	91	100	40	Fettschmierung Lubricant grease	6'000	1:1	Werkzeughalter Tool Holder